



AMC79L05

100mA / 3-TERMINAL NEGATIVE VOLTAGE REGULATOR

DESCRIPTION
<p>The AMC79L05 is a 3-terminal fixed negative-voltage designed for a wide range of applications. This regulator can provide local on card regulation, eliminating the distribution problems associated with single point regulation. In addition, it can be used with power-pass elements to make high-current voltage regulators with 100mA output current.</p> <p>Protection features such as thermal shutdown and current limiting have been designed internally which will protect the device from damage in case of overload or overheating.</p>

FEATURES
<ul style="list-style-type: none"> ■ ±5% tolerance of output voltage ■ Wide input range ■ Internal thermal overload protection ■ Output current $\geq 100\text{mA}$ ■ No External Components □ Short circuit protection □ Available in 3L plastic TO-92 and plastic 8 pin S.O.I.C. □ Identical pin assignment to earlier 79L05 series.

APPLICATIONS
<ul style="list-style-type: none"> ■ Logic Systems ■ Computer Add-On Cards ■ Modem Cards ■ Power Suppliers

PACKAGE PIN OUT
<p>3-Pin Plastic TO-92 (Top View)</p>
<p>8-Pin S.O.I.C Surface Mount (Top View)</p>

ORDER INFORMATION			
T_A (°C)	LP	Plastic TO-92	DM
		3-pin	
0 to 70	AMC79L05LP		AMC79L05DM
0 to 70	AMC79L05LP(Lead Free)		AMC79L05DM(Lead Free)
Note: 1.All surface-mount and TO-92 packages are available in Tape & Reel. Append the letter "T" to part number (i.e. AMC79L05LPT or AMC79L05DMT). 2.For TO-92 in Tape & Box (without reel), add suffix "TB" (i.e. AMC79L05LPTB). 3.The letter "F" is marked for Lead Free process.			

AMC79L05

100mA / 3-TERMINAL NEGATIVE VOLTAGE REGULATOR

ABSOLUTE MAXIMUM RATINGS (Note 1)	
Input Voltage	-30V
Operating free-air temperature range, T _A	0°C to 70°C
Storage temperature range	-65°C to 150°C
Lead temperature (soldering, 10 seconds)	260°C
Note 1: Exceeding these ratings could cause damage to the device. All voltages are with respect to Ground. Currents are positive into, negative out of the specified terminal.	

THERMAL DATA	
LP PACKAGE:	
Thermal Resistance-Junction to Ambient, θ_{JA}	156 °C/W
DM PACKAGE:	
Thermal Resistance-Junction to Ambient, θ_{JA}	165 °C/W
Junction Temperature Calculation: $T_J = T_A + (P_D \times \theta_{JA})$. The θ_{JA} numbers are guidelines for the thermal performance of the device/pc-board system. All of the above assume no ambient airflow.	

AMC79L05

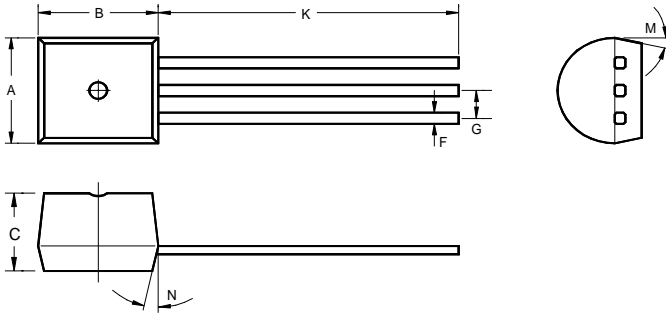
100mA / 3-TERMINAL NEGATIVE VOLTAGE REGULATOR

RECOMMENDED OPERATING CONDITIONS					
Parameter	Symbol	Recommended Operating Conditions			Units
		Min.	Typ.	Max.	
Input Voltage	V_I	-7		-20	V
Output Current	I_{OUT}			100	mA
Operating Virtual Junction Temperature	T_J	0		125	°C

ELECTRICAL CHARACTERISTICS						
Unless otherwise specified, these specifications in bold type apply over the operating temperature range of $0^{\circ}\text{C} \leq T_J \leq +150^{\circ}\text{C}$, $V_{IN} = -10\text{V}$, $I_{OUT} = 40\text{mA}$, $C_{IN} = 0.33\mu\text{F}$, $C_{OUT} = 0.1\mu\text{F}$, and are for DC characteristics only. (Low duty cycle pulse testing techniques are used which maintains junction and case temperatures equal to the ambient temperature.)						
Parameter	Symbol	Test Conditions	AMC79L05			Units
			Min.	Typ.	Max.	
Output Voltage	V_{OUT}	$T_J = 25^{\circ}\text{C}$	-4.8	-5.0	-5.2	V
		$-7\text{V} \leq V_{IN} \leq -20\text{V}$, $1\text{mA} \leq I_{OUT} \leq 40\text{mA}$	-4.75		-5.25	
		$1\text{mA} \leq I_{OUT} \leq 70\text{mA}$	-4.75		-5.25	
Line Regulation	ΔV_{OI}	$-7\text{V} \leq V_{IN} \leq -20\text{V}$, $T_J = 25^{\circ}\text{C}$		15	150	mV
		$-8\text{V} \leq V_{IN} \leq -20\text{V}$, $T_J = 25^{\circ}\text{C}$			100	
Load Regulation	ΔV_{OL}	$1\text{mA} \leq I_{OUT} \leq 100\text{mA}$, $T_J = 25^{\circ}\text{C}$		20	60	mV
		$1\text{mA} \leq I_{OUT} \leq 40\text{mA}$, $T_J = 25^{\circ}\text{C}$		10	30	
Peak Output Current	I_{PEAK}	$T_J = 25^{\circ}\text{C}$		140		mA
Dropout Voltage		$T_J = 25^{\circ}\text{C}$		1.7		V
Quiescent Current	I_Q	$T_J = 25^{\circ}\text{C}$			6.6	mA
		$T_J = 125^{\circ}\text{C}$			6.0	
Quiescent Current Change	ΔI_Q	$-8\text{V} \leq V_{IN} \leq -20\text{V}$			1.5	mA
		$1\text{mA} \leq I_{OUT} \leq 40\text{mA}$			0.1	
Ripple Rejection (note 2)	R_R	$f = 120\text{Hz}$, $-8\text{V} \leq V_{IN} \leq -18\text{V}$, $T_J = 25^{\circ}\text{C}$	41	49		dB
Output Noise Voltage (note 2)	V_{ORMS}	$10\text{Hz} \leq f \leq 100\text{KHz}$, $T_J = 25^{\circ}\text{C}$		40		μV

note 2: These parameters, although guaranteed, are not 100% tested in production prior to shipment

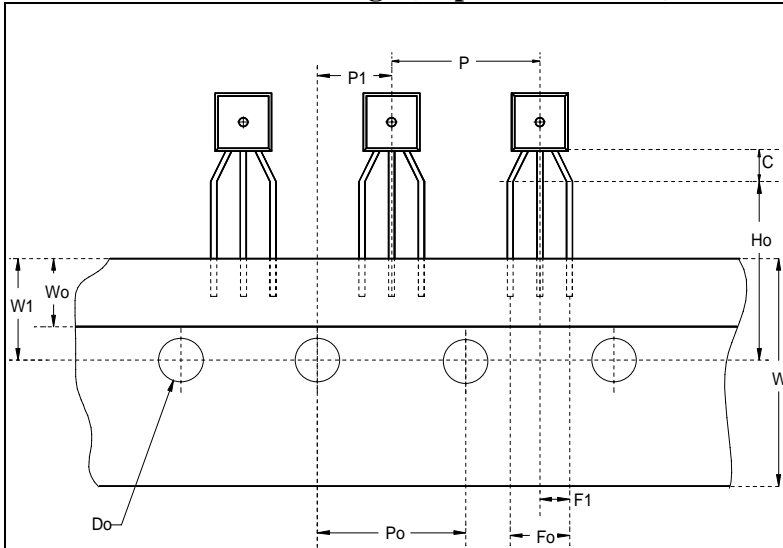
3-Pin Plastic TO-92



Note: For TO-92 in tape & reel, refer to TO-92 package and carrier dimension data for lead dimensions.

	INCHES			MILLIMETERS		
	MIN	TYP	MAX	MIN	TYP	MAX
A	0.175	0.180	0.205	4.45	4.57	5.21
B	0.170	0.180	0.210	4.32	4.57	5.33
C	0.125	0.142	0.165	3.18	3.62	4.19
F	-	0.015	-	-	0.38	-
G	-	0.050	-	-	1.27	-
J	-	0.150	-	-	3.81	-
K	0.500	0.580	-	12.70	14.73	-
M	-	5°	-	-	5°	-
N	-	5°	-	-	5°	-

3-Pin Plastic TO-92 Package (Taped and Reeled) and Carrier Dimensions

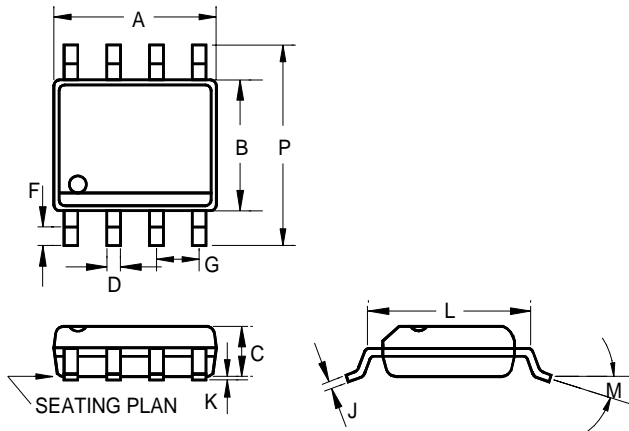


Note: For 3L TO92, 2,000 units per Reel

	INCHES			MILLIMETERS		
	MIN	TYP	MAX	MIN	TYP	MAX
C	0.079	-	-	2.00	-	-
P	0.480	0.500	0.520	12.2	12.7	13.2
Po	0.488	0.500	0.512	12.4	12.7	13.0
Do	0.150	0.157	0.165	3.8	4.0	4.2
P1	0.230	0.250	0.256	5.85	6.35	6.85
Fo	0.165	0.197	0.220	4.2	5.0	5.6
W	0.669	0.709	0.748	17.0	18.0	19.0
Ho	0.610	0.630	0.649	15.5	16.0	16.5
W0	0.224	0.236	0.248	5.7	6.0	6.3
W1	0.335	0.354	0.374	8.5	9.0	9.5

AMC79L05
100mA / 3-TERMINAL
NEGATIVE VOLTAGE REGULATOR

8-Pin Plastic S.O.I.C.



Note: for 8 pin S.O.I.C., 100 units per tube

	INCHES			MILLIMETERS		
	MIN	TYP	MAX	MIN	TYP	MAX
A	0.183	-	0.202	4.65	-	5.13
B	0.144	-	0.163	3.66	-	4.14
C	0.068	-	0.074	1.73	-	1.88
D	0.010	-	0.020	0.25	-	0.51
F	0.015	-	0.035	0.38	-	0.89
G	0.050 BSC			1.27 BSC		
J	0.007	-	0.010	0.19	-	0.25
K	0.005	-	0.010	0.13	-	0.25
L	0.189	-	0.205	4.80	-	5.21
M	-	-	8°	-	-	8°
P	0.228	-	0.244	5.79	-	6.20

IMPORTANT NOTICE

ADD Microtech (ADDM) reserves the right to make changes to its products or to discontinue any integrated circuit product or service without notice, and advises its customers to obtain the latest version of relevant information to verify, before placing orders, that the information being relied on is current.

A few applications using integrated circuit products may involve potential risks of death, personal injury, or severe property or environmental damage. ADDM integrated circuit products are not designed, intended, authorized, or warranted to be suitable for use in life-support applications, devices or systems or other critical applications. Use of ADDM products in such applications is understood to be fully at the risk of the customer. In order to minimize risks associated with the customer's applications, the customer should provide adequate design and operating safeguards.

ADDM assumes no liability to customer product design or application support. ADDM warrants the performance of its products to the specifications applicable at the time of sale.

U.S.

ADD Microtech Inc.

492 Altamont Drive
Milpitas, CA 95035

TEL: (408) 9410420

FAX: (408) 9410864

Asia Pacific region

ADD Microtech Corp

13F, NO. 287, Sec. 3, Nan Jing E. Rd.,
Taipei, Taiwan 105

TEL: 2-27132800

FAX: 2-27132805